

PLEASE CHECK WWW.MOLEX.COM FOR LATEST PART INFORMATION

Part Number: [0352780617](#)
Status: **Active**
Description: 6.35mm (.250") Tab Width, Powermate Relay Housing, Female, Brown, 6 Circuits

Documents:

[Drawing \(PDF\)](#) [RoHS Certificate of Compliance \(PDF\)](#)
[Product Specification PS-35270-001 \(PDF\)](#)

General

Product Family	Crimp Housings
Series	35278
Comments	Pre-Loaded Terminal Position Assurance (TPA™)
Product Name	N/A

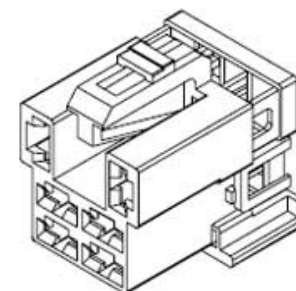
Physical

Circuits (maximum)	6
Color - Resin	Brown, Natural
Gender	Female
Glow-Wire Compliant	No
Lock to Mating Part	Yes
Material - Resin	Polyester
Number of Rows	3
Packaging Type	Bag
Panel Mount	Yes
Pitch - Mating Interface (in)	0.354 In
Pitch - Mating Interface (mm)	9.00 mm
Polarized to Mating Part	Yes
Stackable	No
Temperature Range - Operating	-40°C to +80°C

Material Info

Reference - Drawing Numbers

Product Specification	PS-35270-001
Sales Drawing	SD-35278-001, SD-35278-0617



Series
image - Reference only

EU RoHS

ELV and RoHS Compliant
REACH SVHC
 Not Reviewed
Halogen-Free Status

China RoHS



Need more information on product environmental compliance?

Email productcompliance@molex.com
 For a multiple part number RoHS Certificate of Compliance, [click here](#)

Please visit the [Contact Us](#) section for any non-product compliance questions.

Search Parts in this Series

[35278Series](#)

Mates With

[35272 Housing](#)

Use With

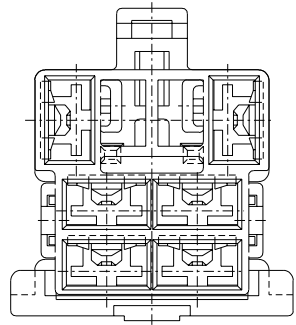
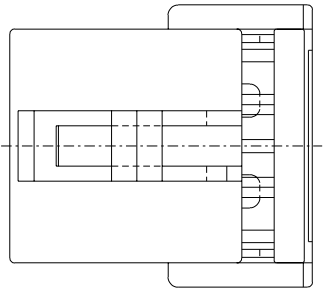
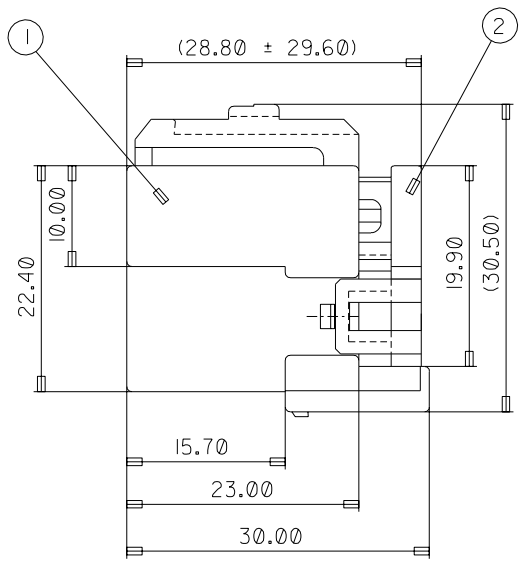
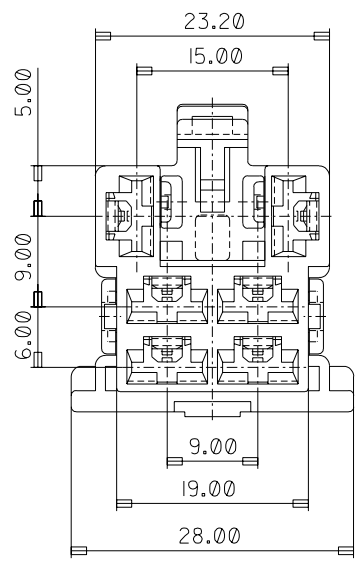
[35427](#) , [35430](#) Terminals

DO NOT SCALE DRAWING
DIMENSION IN METRIC

PROJECT NO. SIMILAR ITEM DWG. NO. SD 35278-001

	P/NO.	PART NAME	MATERIAL	COLOR
△ B	35278-0690	POWERMATE RLY FEMALE HSG 6P	POLYESTER	NATURAL
①	35278-0697	POWERMATE RLY FEMALE HSG 6P	POLYESTER	BROWN
②	35279-0680	POWERMATE RLY FEMALE TPA 6P	POLYESTER	NATURAL

* APPLICABLE TERMINAL : 35427-97**,98**,99**
35430-1700,1800,1900



MATERIAL NO.	ENG. NO.
352780610	35278-0610
352780617	35278-0617

REV	DESCRIPTION
B	

QUALITY SYMBOLS	GENERAL TOLERANCES: (UNLESS SPECIFIED)
MAJOR =	mm INCH
CRITICAL =	4 PLACES ±. INCH
	3 PLACES ±. INCH
	2 PLACES ±0.3 INCH
	1 PLACE ±0. INCH
	ANGULAR: ±3 °

SCALE	DESIGN UNITS	DRAWN BY & DATE	CHECKED BY & DATE	APPROVED BY & DATE	CAD FILENAME
2 : 1	<input checked="" type="checkbox"/> mm <input type="checkbox"/> INCH	J.K.OH 97/09/22	B.K.CHOI 97/09/22	C.W.LEE 97/09/22	SD352786P.DGN

TITLE:	DIMENSIONS:	SHT	REV
POWERMATE RLY FEMALE ASS'Y 6P	<input type="checkbox"/> mm <input type="checkbox"/> INCH <input checked="" type="checkbox"/> mm ONLY		
MOLEX INCORPORATED			
MATERIAL NO.	DRAWING NO.	SHEET NO.	SIZE
SEE TABLE	SD 35278-001	1/1	B

THIS DRAWING CONTAINS INFORMATION THAT IS PROPRIETARY TO MOLEX INCORPORATED AND SHOULD NOT BE USED WITHOUT WRITTEN PERMISSION.

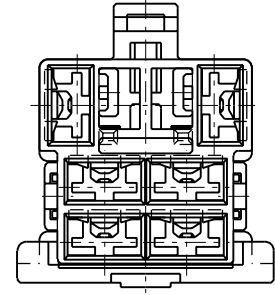
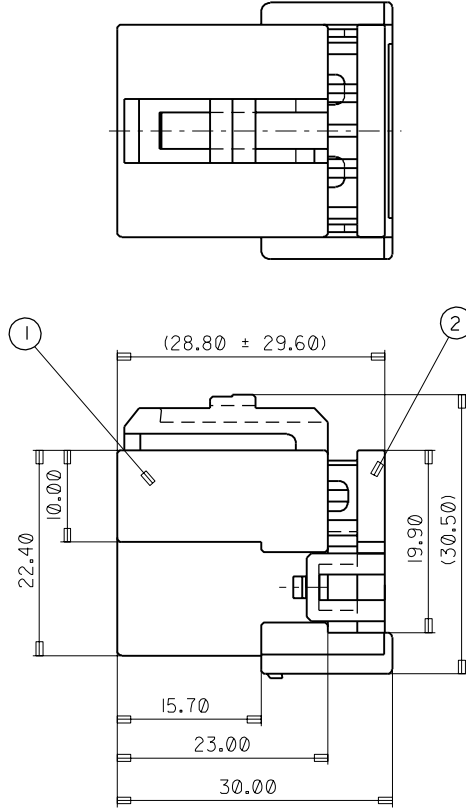
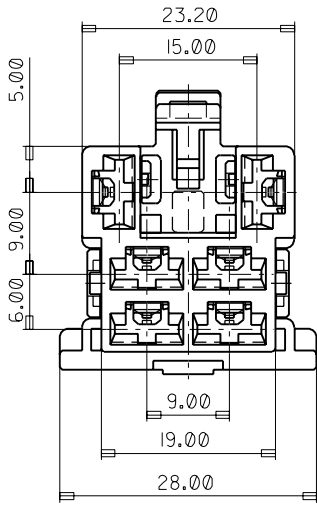
DWG. NO.
SD 35278-0617

SIMILAR ITEM

PROJECT NO.

B

DO NOT SCALE DRAWING
DIMENSION IN METRIC



	P/NO.	PART NAME	MATERIAL
①	35278-0697	POWERMATE RLY FEMALE HSG 6P	PBT BROWN COLOR
②	35279-0680	POWERMATE RLY FEMALE TPA 6P	PBT NATURAL COLOR

• APPLICABLE TERMINAL : 35427-97**.,98**,99**
35430-1700,1800,1900

NEW RELEASE
EC NO. KOR1998-0085
DRWN: J.K OH 98.6.2
CHK: J.K OH 98.6.2
APPR:

DESCRIPTION
MAJOR
CRITICAL

GENERAL TOLERANCES: (UNLESS SPECIFIED)	
	mm INCH
4 PLACES	±0. ±.
3 PLACES	±0. ±.
2 PLACES	±0.3 ±.
1 PLACE	±0. ±.
ANGULAR: ±3 °	

SCALE 2 : 1
DESIGN UNITS mm INCH
DRAWN BY & DATE 970922 J.K.OH
CHECKED BY & DATE
APPROVED BY & DATE

TITLE: POWERMATE RLY FEMALE ASS'Y 6P

MOLEX INCORPORATED KOREA

CAD FILENAME MATERIAL NO. 352-78-0617 DRAWING NO. SD 35278-0617 SHEET NO. 1/1

THIS DRAWING CONTAINS INFORMATION THAT IS PROPRIETARY TO MOLEX INCORPORATED AND SHOULD NOT BE USED WITHOUT WRITTEN PERMISSION.

SIZE B